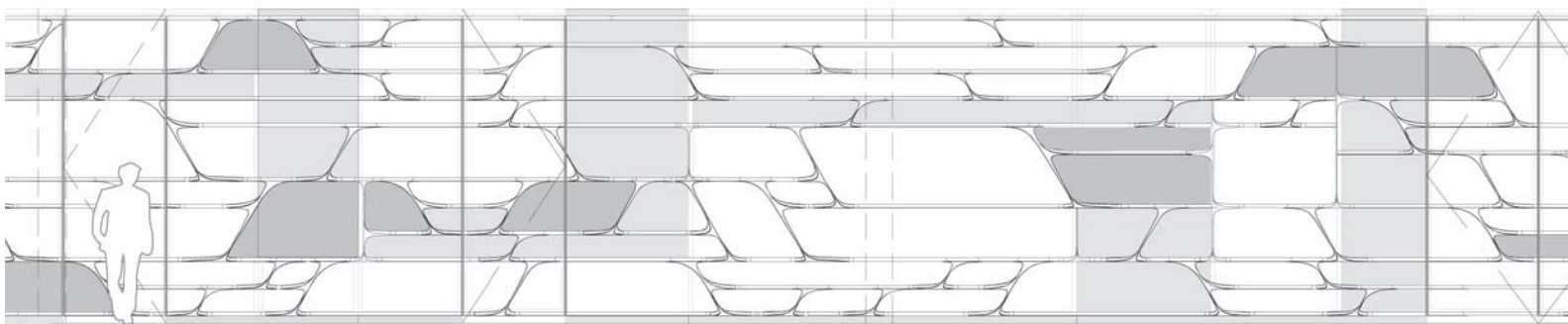


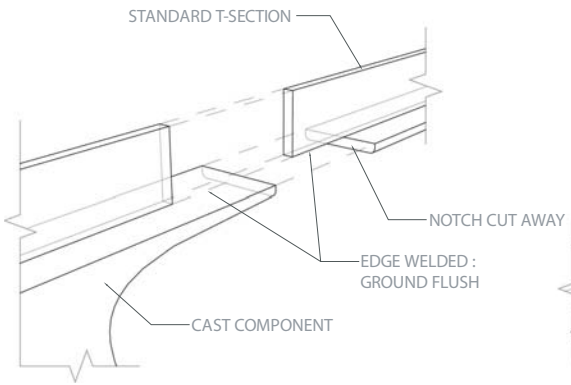
Little Red House



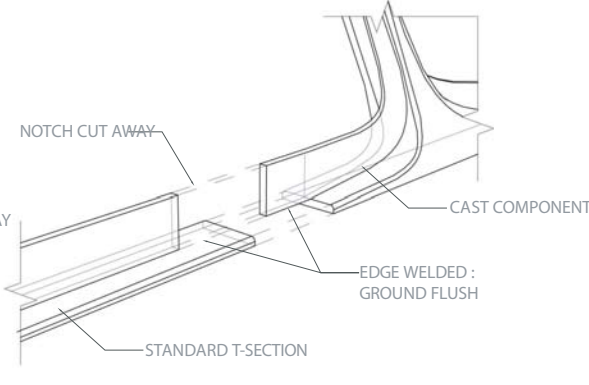
Little Red House is a six story brick building in Little Italy, formerly used for light manufacturing. The conversion to residential units at the upper floors and a commercial space at the ground floor required a complete restructuring of the building and the construction of a new steel stair and elevator core within the existing envelope, with new foundations below the existing cellar level. At the ground floor commercial space and residential entry, a new identity is given to the building through the extension of Broome Street's cast iron facade onto the Mott Street elevation: this extension continues the cast-iron material while referencing the open metalwork of the neighborhood's historic ironwork. Glazing and entries to the retail spaces are woven into this screen.



The facade system is created out of eight standard nodal modules, each designed to connect to a standard t-bar. The t-bar length is allowed to vary, while the nodes can sit in different orientations, allowing for a fluid and non-repetitive composition.



Top Joint Isometric



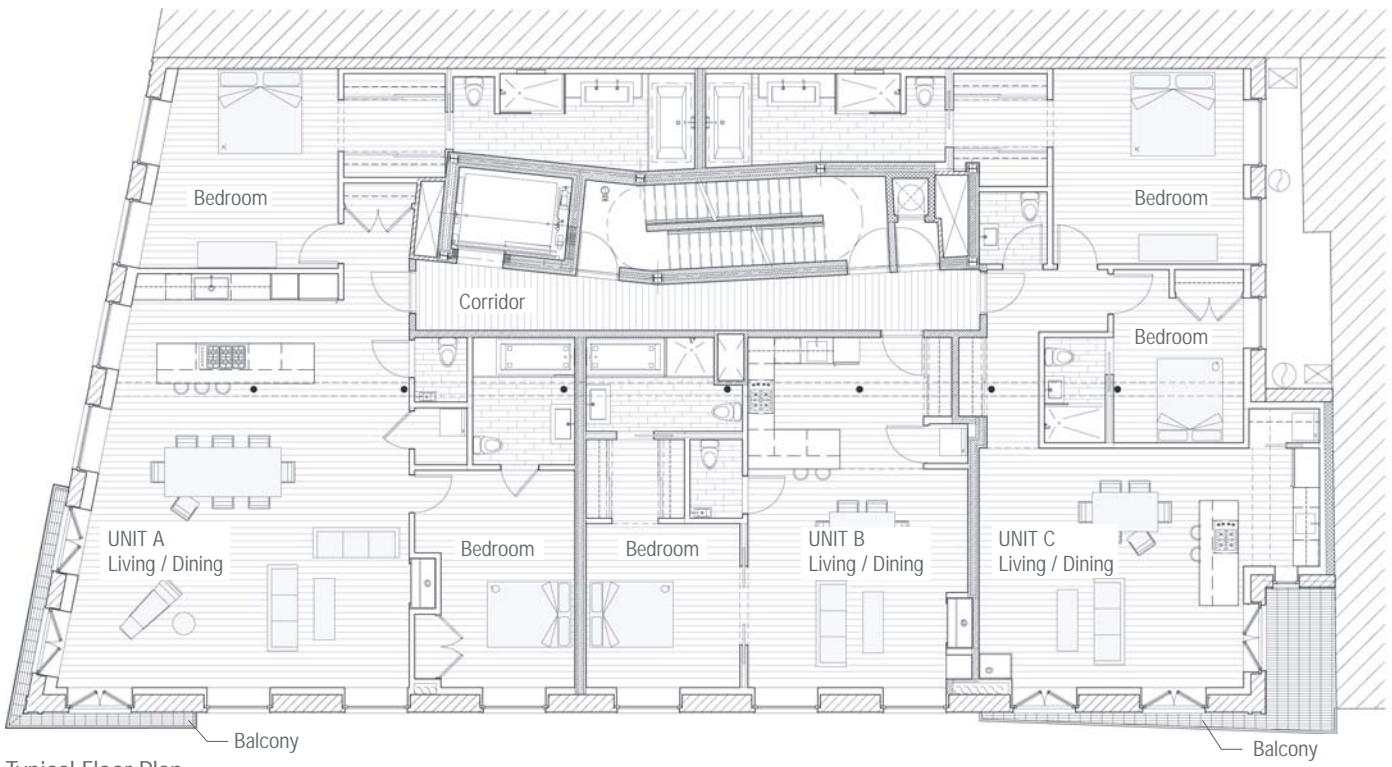
Base Joint Isometric



Rapid Prototype Study



Panel Mock-up



Typical Floor Plan

